

LUNOS
energy-efficient



LUNOS goes Ne^{xxx}t

The heat recovery unit of the future

Home ventilation with Ne^{xt}, the evolution

Ne^{xt}

All features at the highest quality level

LUNOS now opens up the market of decentralised ventilation units for completely new application areas: The Ne^{xt} is a decentralised heat recovery unit, which is used in kindergartens, schools, offices, hotels and medical practices and of course, classically, in apartments and houses. In regions or altitudes where extraordinary wind loads prevail, the Ne^{xt} is just as well suited as in areas that need to be particularly soundproof. By the optional use of an F9 filter the Ne^{xt} exceeds all standards of hygiene requirements many times over. The Ne^{xt} achieves a heat recovery rate of up to 90 %. The heat transfer is effected by a crossflow heat exchanger or optionally by a counterflow heat exchanger.

The Ne^{xt} is topped off by a completely new operating concept. Placed behind an elegant screen, the control - when operated - provides a clear but subtle feedback by backlighting. By default, the Ne^{xt} is controlled via humidity or temperature sensors. The Ne^{xt} can be installed both under and on plaster. The installation housing of the surface-mounted version includes a stylish design frame making an attractive visual impact. The well-known 160 wall tube is used for the duct to the outside.



heat recovery

in the decentralised system



Maximum passive noise protection

Thanks to the intelligent design a maximum standard sound level difference of 56 dB is achieved, which means that the Ne^{xt} can even be used at airports.

Low noise level thanks to ec technology

While the well-known e² with the axial ec technology has already achieved top ratings, the radial ec motors of the Ne^{xt} are convincing all along the line. Nestled in a flow-optimised EPP chassis, the ec motors, which are already very quiet, are virtually "silenced". That is why the Ne^{xt} is currently one of the quietest units in its class.

Filters

The filters meet the highest quality standard of M5 filters, F7 filters or F9 filters.

Efficiency

With its very low power consumption, the Ne^{xt} is extremely energy efficient, thus making an active contribution to environmental protection. The highly efficient ec technology enables a low power consumption.

The Ne^{xt}-housing can be used universally

A stylish design frame is available for the surface-mounted version. The flush-mounted version requires a wall thickness of at least 280 mm.

Heat recovery and control technology

The key component of the Ne^{xt} is the built-in device with heat exchanger, which is available in two versions: **Ne^{xt} K**: The crossflow heat exchanger achieves heat recovery levels of up to 80 %. 62 % according to EN 13141-8 at 75 m³/h (reference airflow volume). **Ne^{xt} G**: The bigger counterflow heat exchanger has a significantly higher efficiency, providing a heat recovery level of up to 90 %, 84 % according to EN 13141-8 at 60 m³/h (reference airflow volume).

The integrated control provides the perfect interaction of the various components. Equipped with humidity-temperature sensors, even the standard version of the automatic control ensures efficient ventilation with humidity protection. Optionally, additional sensors such as, for example, the CO₂ sensor can be integrated or connected with the EnOcean wireless technology.

LUNOS design line

The Ne^{xt} adds the waveform to the current design of LUNOS products while maintaining its basic principles and recognition value. With an inner screen size of 510 x 510 mm, the fan thus remains a stylish element of home technology. The front screen also contains the plainly designed control panel. The total depth of 240 mm can be lowered up to 67 mm into the outer wall.

LUNOS compatibility

By using the LUNOS 160 standard wall-tube as wall duct, the Ne^{xt} is compatible with the fans of the 160 series. Only for the outer covering a two-way outer screen or outer hood must be used. In the surface-mounted version, it is particularly easy to replace a 160 fan by the Ne^{xt}.

Tested according to EN 13141-8

Conforming to standards: All device data of the ErP product data sheet and the energy labels have been determined according to EN 13141-8



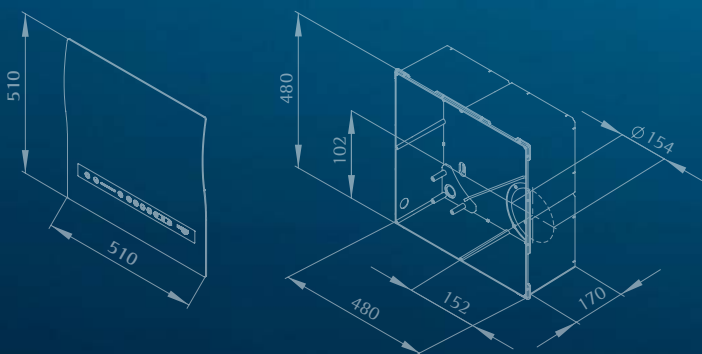
Technical data: The Ne^{xx}t

with crossflow heat exchanger (Ne^{xx}t K) and
with counterflow heat exchanger (Ne^{xx}t G)

| | Ne ^{xx} t K | Ne ^{xx} t G |
|--|--|--|
| Efficiency* | 62 % | 84 % |
| Airflow volume | 15-110 m ³ /h (stagelessly adjustable) | 15-90 m ³ /h (stagelessly adjustable) |
| Power Consumption** | 22 Watt | 20 Watt |
| Mains Voltage | 230 V / 50 Hz 115 V / 60 Hz US version (available on request) | 230 V / 50 Hz 115 V / 60 Hz US version (available on request) |
| Sound Power Level** | 40 dB(A) | 39 dB(A) |
| Core Drilling | 162 mm | |
| Minimum Wall Thickness (surface mounting/flush mounting) | 110 mm / 280 mm | |
| Depth in Wall Installation | 172 mm housing + 105 mm flap closure in wall duct | |
| Cutout Installation Housing | min. 482 mm x 482 mm x 172 mm | |
| Dimensions of the Unit | 480 mm x 480 mm x 170 mm | |
| Size of the Inner Screen | 510 mm x 510 mm x 66 mm | |
| Size of the Outer Hood | 235 mm x 205 mm x 72 mm | |
| Energy Efficiency Class |  | |

* according to EN 13141-8

** at 70 % of the maximum airflow volume, according to ErP Directive EU Regulation 1254, measured with M5 filters.



LUNOS Lüftungstechnik GmbH
für Raumlufsysteme
Wilhelmstraße 31 · 13593 Berlin
Post Box 20 04 54 · 13514 Berlin
Germany

Telephone +49 30 362001-0
Telefax +49 30 362001-89

info@lunos.de · www.lunos.de

LUNOS
energy-efficient



P057110 10.16